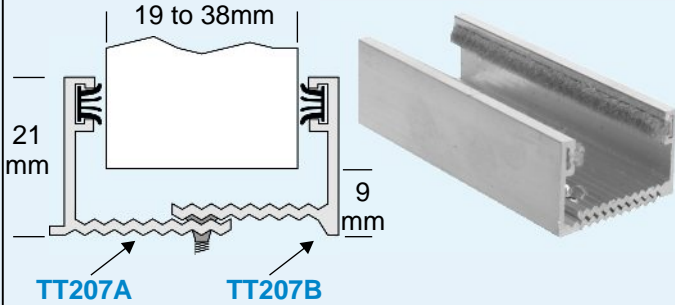


DOOR GUIDES For Door Track Systems

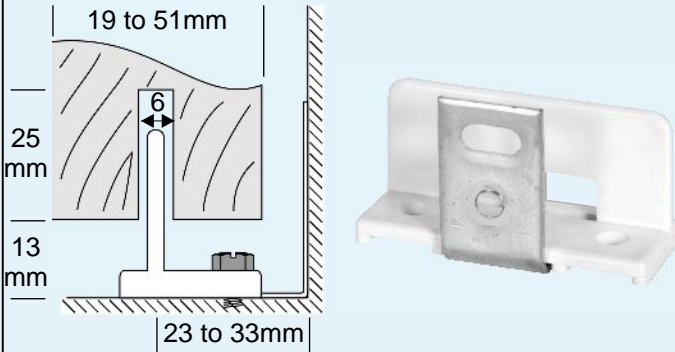
P207 ADJUSTABLE SLIDING DOOR GUIDE

Weather pile protects surface. No need to groove door. Fully adjustable interlocking grooves for 19 to 38mm doors
The **TT207A** & **TT207B** are available separately in stock lengths of 4500mm



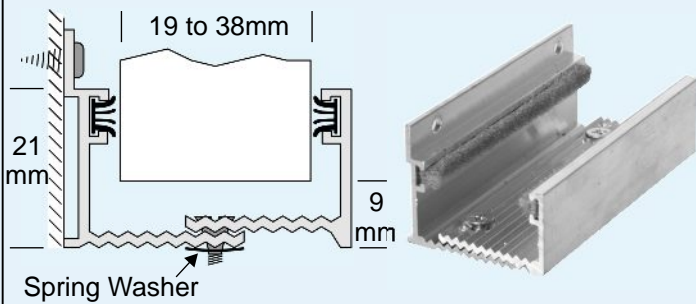
P209 ADJ. WALL MOUNT SLIDING DOOR GUIDE

Guide not visible from front of door. Fully adjustable slot for 19mm to 51mm doors. (Incorporates the TT208 Guide + bracket)

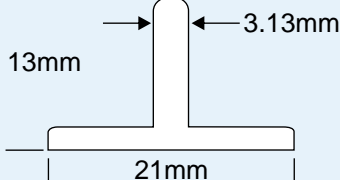


P213 ADJUSTABLE WALL MOUNT SLIDING DOOR GUIDE

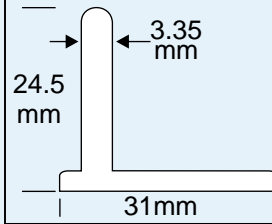
Weather pile protects surface. No need to the groove door
Fully adjustable interlocking grooves for 19 to 38mm doors



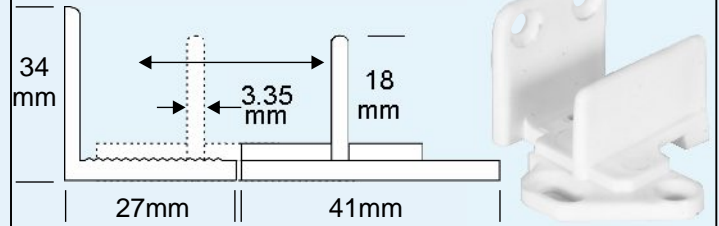
TT30 NYLON LIGHT DUTY DOOR GUIDE S30 PACK OF 2 TT30



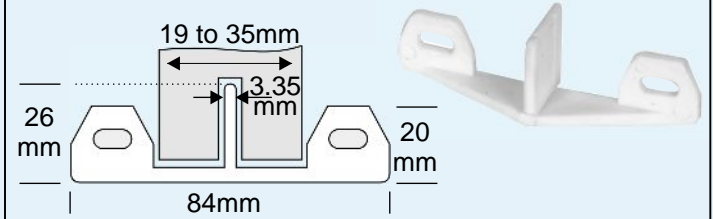
TT31 NYLON ADJUSTABLE DOOR GUIDE S31 PACK OF 1 TT31



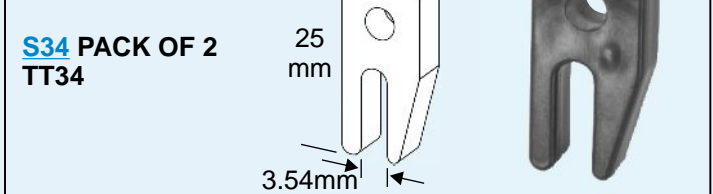
S32 NYLON ADJ. WALL MOUNT DOOR GUIDE Suitable for 30mm to 51mm doors



TT33 NYLON ADJUSTABLE CAVITY DOOR GUIDE S33 PACK OF 1 TT33

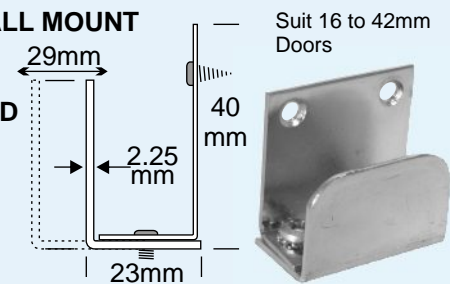


TT34 NYLON SCREEN DOOR GUIDE S34 PACK OF 2 TT34

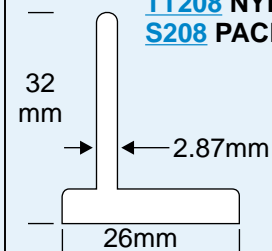


ADJUSTABLE WALL MOUNT DOOR GUIDE

TT35 ZINC PLATED
S35 PACK OF 1 TT35
TT36 WHITE P/C
S36 PACK OF 1 TT36



TT208 NYLON DOOR GUIDE S208 PACK OF 1 TT208



DOOR GUIDES For Door Track Systems

TT208A CONTINUOUS ALUMINIUM DOOR GUIDE
ALSO SUITABLE FOR USE AS A HEADGUIDE

Available in 2500, 3000, 3700, 4500 & 6000mm - undrilled
4500 & 6000mm - pre-drilled

TT669 Nylon Head Guide Block
Used when **TT208A** is used as a continuous guide.

TT216 HEAVY DUTY ALUMINIUM DOOR GUIDE

TT419 CONTINUOUS ALUMINIUM DOOR GUIDE
ALSO SUITABLE FOR USE AS A HEADGUIDE

Available in 2000, 2500, 3000 & 4500mm in Mill finish and 4500mm in Clear anodised & Bronze anodised

D310 SPRING LOADED GUIDE
ALSO SUITABLE FOR USE AS A HEADGUIDE

D321 ALUMINIUM GUIDE CHANNEL
Available in 2000 & 4500mm

Head Guide for bottom rolling door

DOOR

DOOR

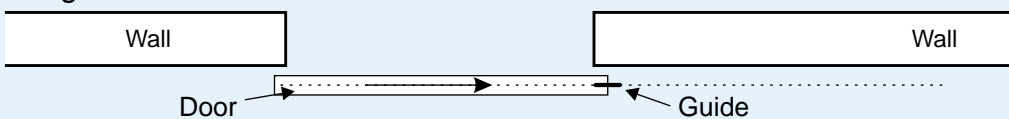
Floor Guide for top hung door

TT684 NYLON CAVITY DOOR GUIDE SET - 1 LH & 1 RH

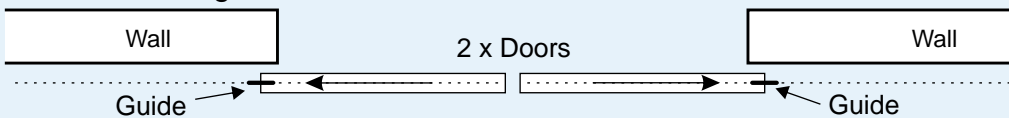
S684 PACK OF 1 TT684 SET

Bottom Door Guide Positioning

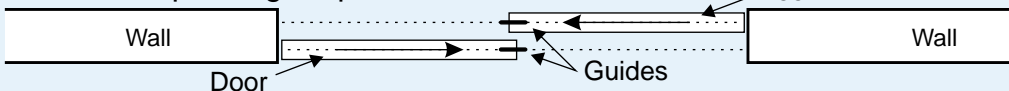
Single Door - wall mounted track



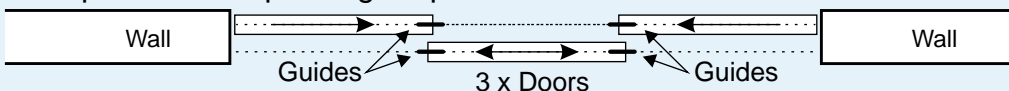
2 Doors butting - wall mounted track



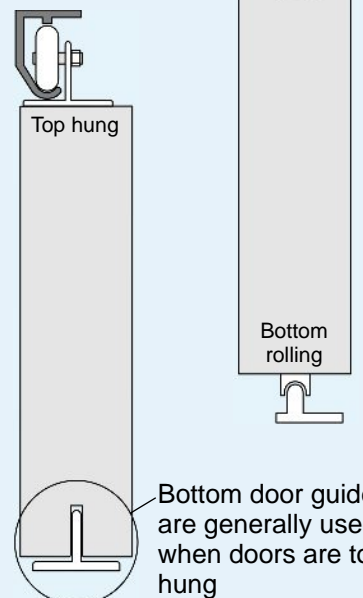
2 Doors Bi passing - top mount track



Multiple Doors Bi passing - top mount track



Head guides are generally used when doors are bottom rolling



Bottom door guides are generally used when doors are top hung

Continuous Door Guides may be used in any sliding door and some folding door situations but are especially recommended for multi-door openings