

FORERUNNER PELMET Sliding Door Track System

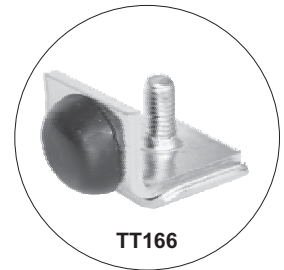
With built-in pelmet - 50kg Per Door

FEATURES:

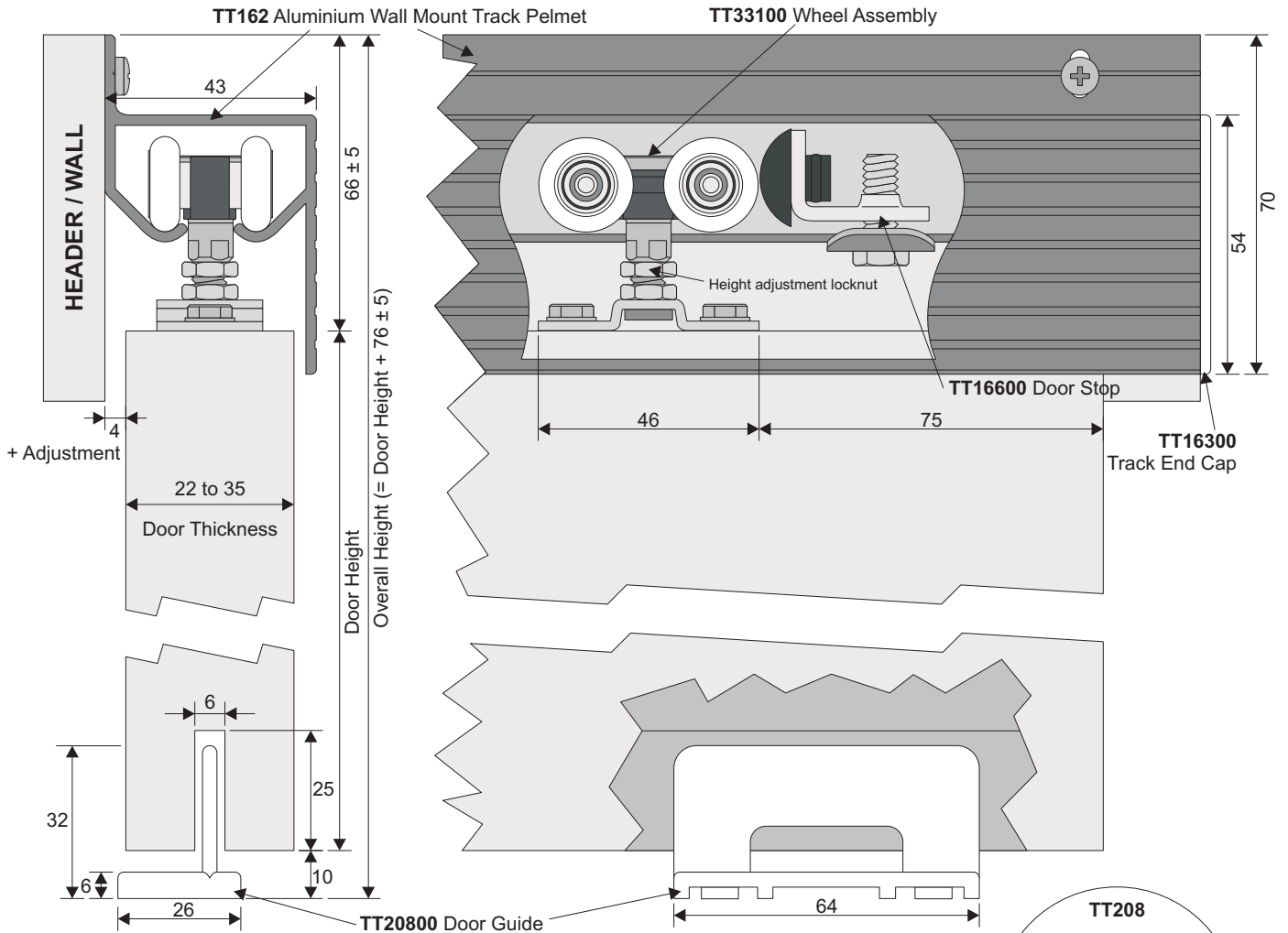
- *Maximum load 50kg per door
- *Aluminium Wall Mount track with built-in pelmet
- *6mm height adjustment slot in track
- *Nylon tyred wheels with ZZ bearings
 - fixed onto metal hanger bracket
- *2mm door thickness adjustment slot in wheel brackets
- *Suitable for doors 25 to 35mm thick
- *Easily adjustable anti-bounce door stop
- *Nylon end caps push easily into ends of track
- *Nylon door guide - slimline & unobtrusive



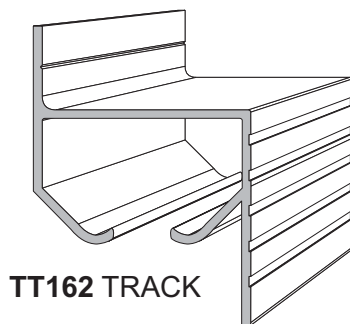
TT331



TT166



TT208



TT162 TRACK



P160	Packaged Set for Single Door 915mm wide Mill
P160	Packaged Set for Single Door 915mm wide White
P160	Packaged Set for Single Door 1220mm wide Mill
P160	Packaged Set for Single Door 1220mm wide White
S331	Pack of 2 TT331 Wheel Assemblies
S208	Pack of 1 TT208 Standard Duty Door Guide