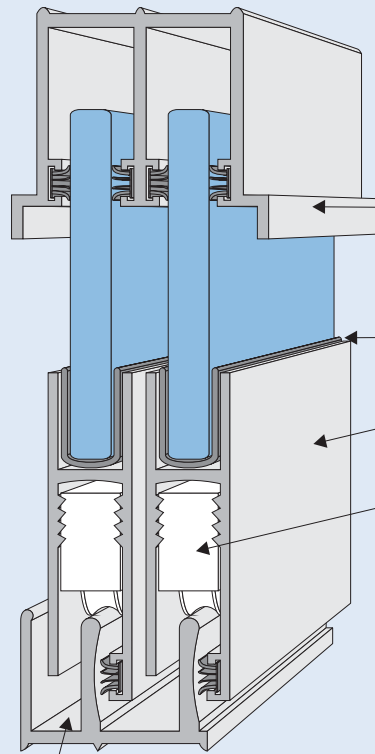
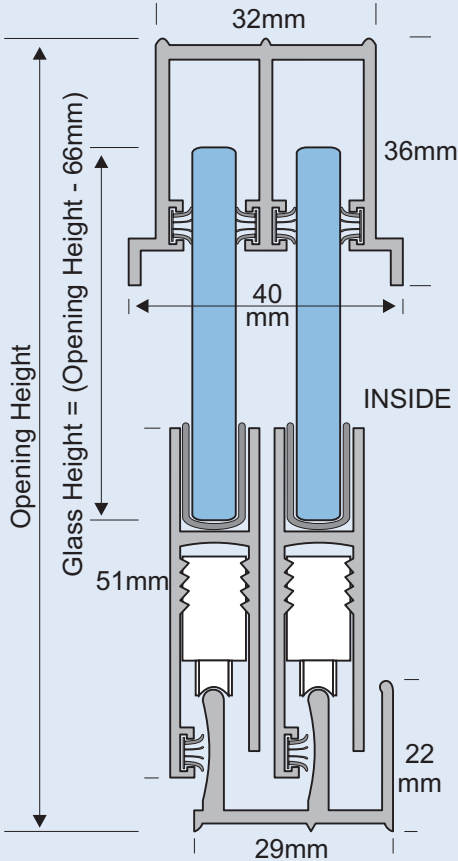


MKII SASHLESS sliding Window System

Double Track for 6mm Float & 6.38mm Laminate Glass Panels



NOT RECOMMENDED FOR EXTERNAL USE IN EXPOSED CONDITIONS

Stock extrusion length: 4500mm.
Stock Finishes: Mill and Clear Anodised

TT22 Aluminium Double Headguide
With pile inserts - 4500mm Length

TT87 Glazing Rubber - 20m Roll
TT89 Glazing Wedge - 40m Roll

TT52 Aluminium Race Section
With pile insert - 4500mm Length

TT520 Adjustable Sheave

RECOMMENDED GLASS SPECIFICATIONS:

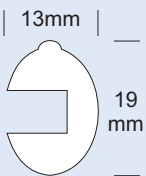
Maximum Sizes: **1525mm High**
2135mm Wide

Maximum Load: **58 kg per window**
Overlap: 100mm

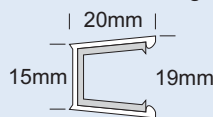
All Edges to be polished and all corners to be rounded or tipped
Glass details should comply with Australian Standard 1288

TT53 Aluminium Double Track
- 4500mm Length

TP6 - Clear P.V.C. Weather Strip
30m Roll

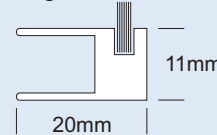


TT129 - Aluminium Mullion
Channel - 4500mm Length

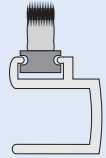


TT129A - Black P.V.C. Mullion
Insert - 30m Roll

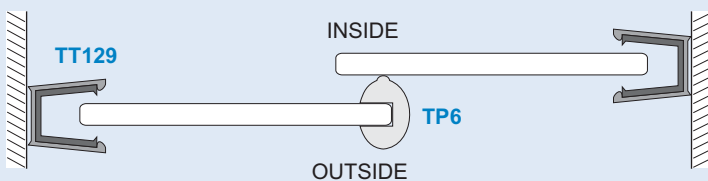
TT130 - Aluminium Vertical Edge
Brace - With pile insert
4500mm Length



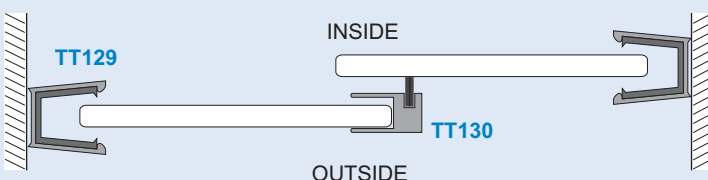
TT135 - Clear Plastic Weather
Seal - With pile insert
3000mm Length



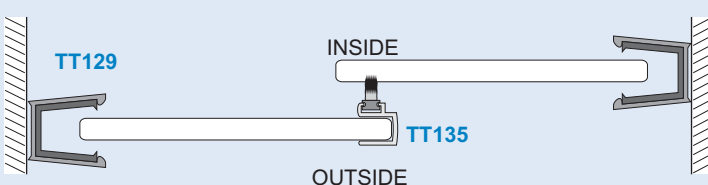
USE OF MULLION AND **TP6** WEATHER STRIP



USE OF MULLION AND **TT130** VERT. EDGE BRACE

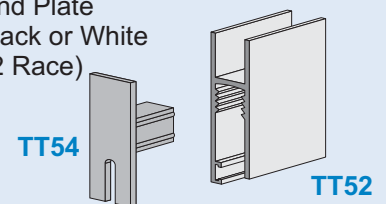


USE OF MULLION AND **TT135** VERT. EDGE BRACE

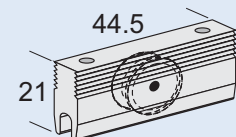


Does not comply to any weathering standard.

TT54 Nylon End Plate
Available in Black or White
(Fits into TT52 Race)



TT520 Adjustable Sheave with
Stainless Steel Wheel.



TT87 Glazing Rubber
20m Roll or per M
TT89 Glazing Wedge
40m Roll or per M

(Used to secure glass
into the TT52 race)

