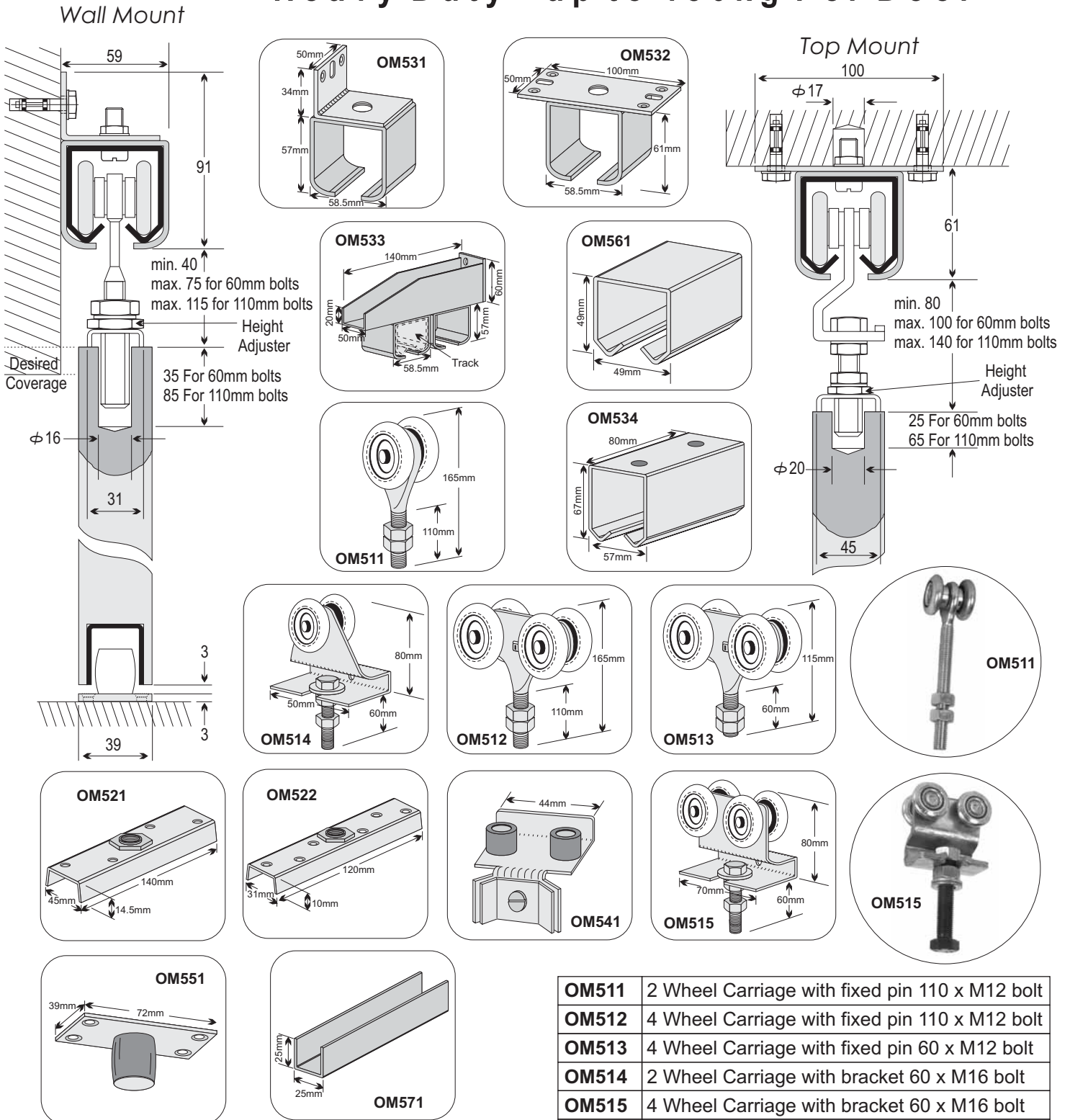


INDUSTRO Sliding Door Track System

Heavy Duty - up to 450kg Per Door



FEATURES:

- *Super Heavy Duty - ideal for farm sheds and industrial/commercial applications
- *Two Wheel Assembly = 300kg per Door
- *Four Wheel Assembly = 450kg per Door
- *Sealed Steel Wheels with Carbon Steel Ball Bearings
- *Zinc Plated Steel Brackets
- *Galvanised Steel Track - Pre-punched
- *Top Mount or Wall Mount Applications
- *Optional Door Stops
- *Optional Bottom Roller Guide System
- *Suits door thickness of 32mm & above

OM511	2 Wheel Carriage with fixed pin 110 x M12 bolt
OM512	4 Wheel Carriage with fixed pin 110 x M12 bolt
OM513	4 Wheel Carriage with fixed pin 60 x M12 bolt
OM514	2 Wheel Carriage with bracket 60 x M16 bolt
OM515	4 Wheel Carriage with bracket 60 x M16 bolt
OM521	Suspension Bracket with M16 thread
OM522	Suspension Bracket with M12 thread
OM531	Track Wall Mounting Bracket with bolt
OM532	Track Top Mounting Bracket with bolt
OM533	Dual Track Wall Mounting Bracket with bolts
OM534	Track Joiner with screws
OM541	Door Stop - optional
OM551	Brass Roller Guide - optional
OM561	Galvanised Steel Track - 5800mm
OM571	Galvanised Steel Guide Channel - 5800mm

