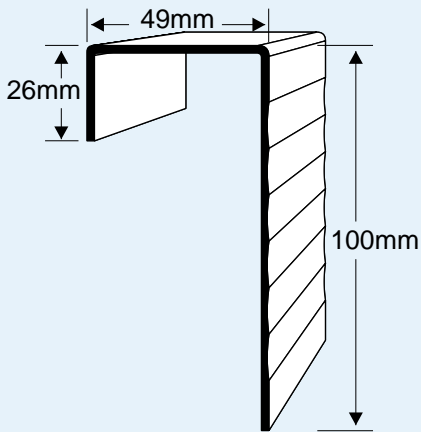
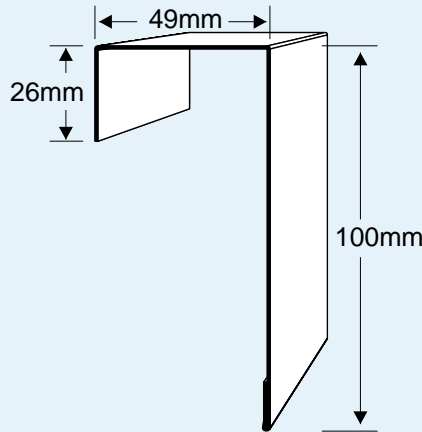


# PELMETS For Door Track Systems

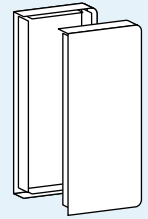
## **P677 Aluminium Pelmet - White**



## **P679 Steel Colorbond™ Pelmet - White**



**TT676** Spring Fixing Clips

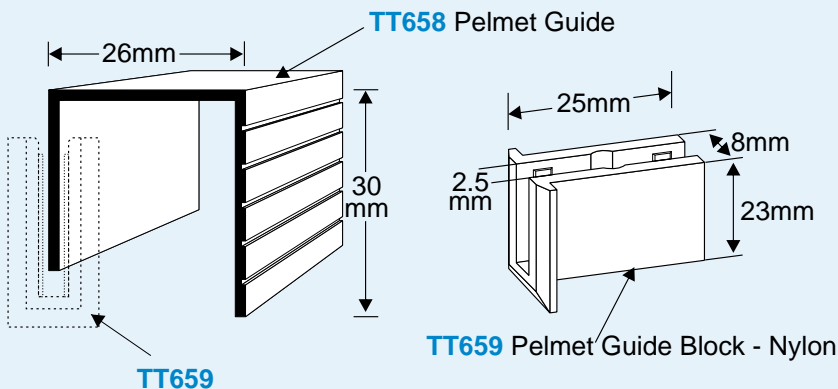


**TT678** End Caps

### **FEATURES:**

- \***P677** - Attractive fluted design Powder Coated White
- \***P679** - Durable White Colorbond™ steel
- \*End caps and fixing spring clips included
- \*Both fit easily to the Cowdroy "Arrow", "Centurion", "Quad Ball" and "Triumph" sliding door systems

## **TT658 Aluminium Pelmet Guide**



### **FEATURES:**

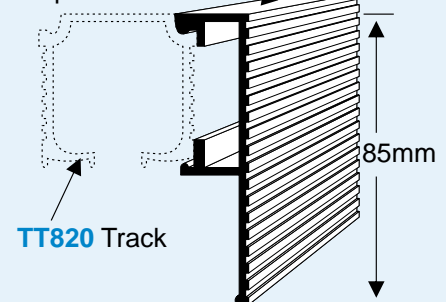
- \*Extruded Aluminium with attractive grooved face for aesthetic appeal
- \*Pelmet Guide Block eliminates rattle and reduces noise
- \*Helps aid with weatherproofing
- \*Fits easily to most bottom rolling systems including the Cowdroy "Coastline", "Timberline" and "Maxi Roller"

## **TT818 Heavy Duty Triumph Pelmet**

### **FEATURES:**

- \*Extruded Aluminium with attractive grooved face
- \*Snaps on to TT820 Track requiring no fixing screws
- \*Specifically designed for use with the Cowdroy "Heavy Duty Triumph" Sliding Door Track System

### **TT818** Snap-on Pelmet



All Pelnets are optional accessories and are sold separately. Pelnets are easy to install and may be fitted as you install your door track system or, in most cases, can be added at a later date.

<b>P677</b>	Aluminium Pelmet Set - 1830 & 3660mm White (includes Fixing Clips & End Caps)
<b>P679</b>	Colorbond™ Pelmet Set - 1800 & 2400mm White (includes Fixing Clips & End Caps)
<b>TT676</b>	Pelmet Spring Fixing Clips
<b>TT678</b>	Pelmet End Caps - White Nylon
<b>TT658</b>	Alum. Pelmet Guide - 2500, 4500 & 6000mm Bronze Anodised & Clear Anodised undrilled 4500 & 6000mm Bronze Anodised & Clear Anodised pre-drilled
<b>TT659</b>	Pelmet Guide Block
<b>TT818</b>	Aluminium Pelmet - 4500 and 6000mm in Mill Finish & Clear Anodised