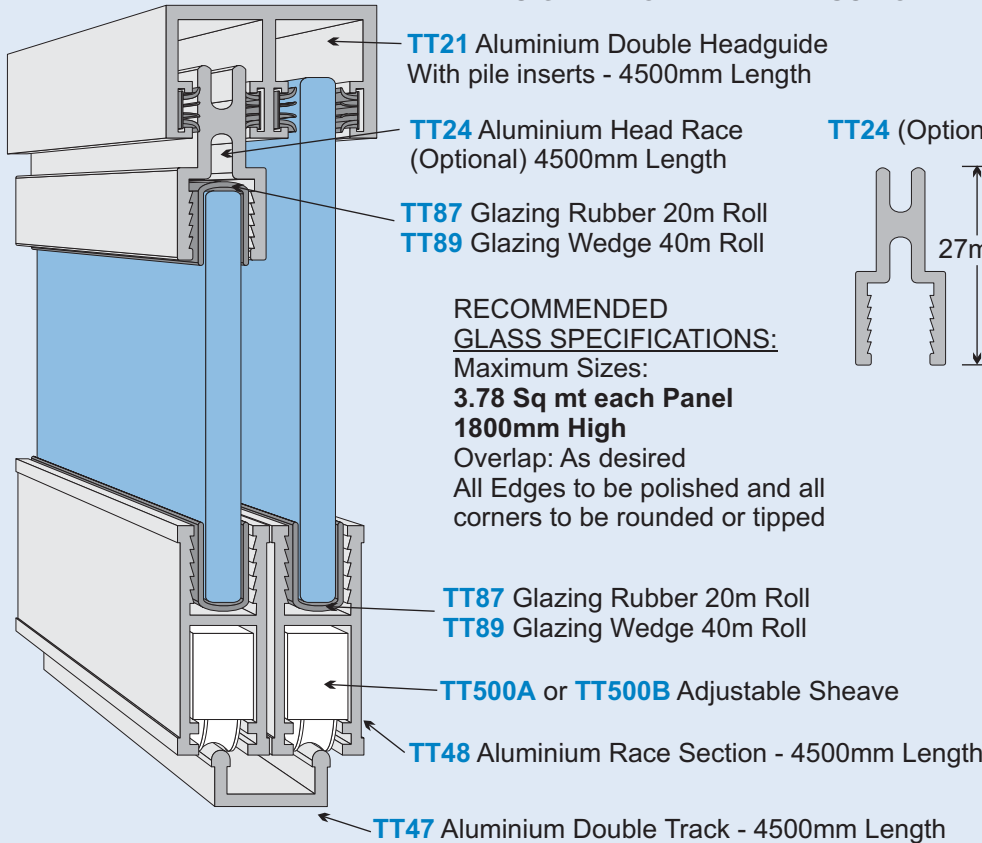


ROLLER BEARING Sliding Door System

Double Track for 6mm Float & 6.38mm Laminate Glass Panels

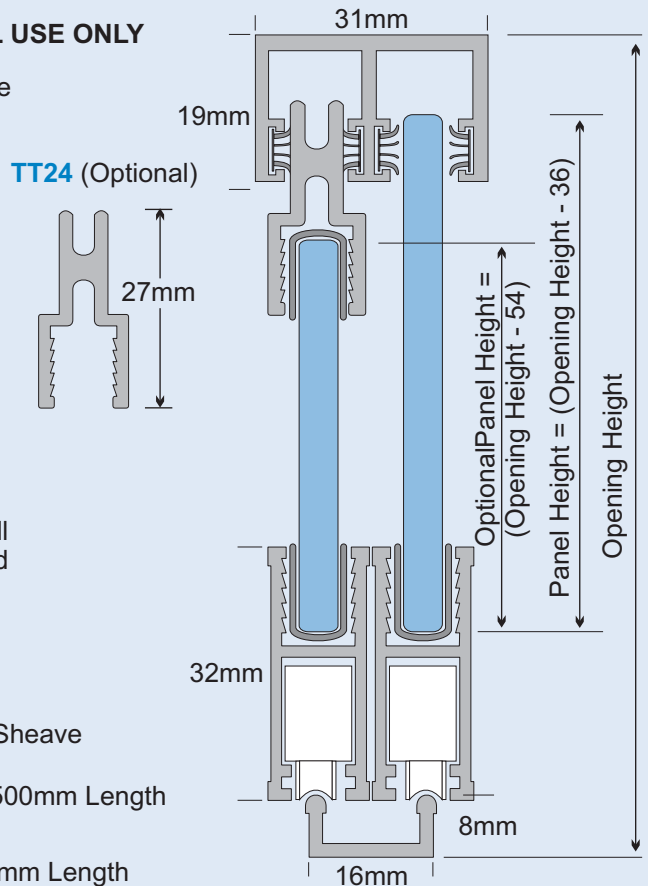
Stock Finishes: Mill, Clear Anodised, Bronze Anodised, Polished Silver and Polished Gold.
Stock extrusion length: 4500mm.

DESIGNED FOR INTERNAL USE ONLY



RECOMMENDED GLASS SPECIFICATIONS:

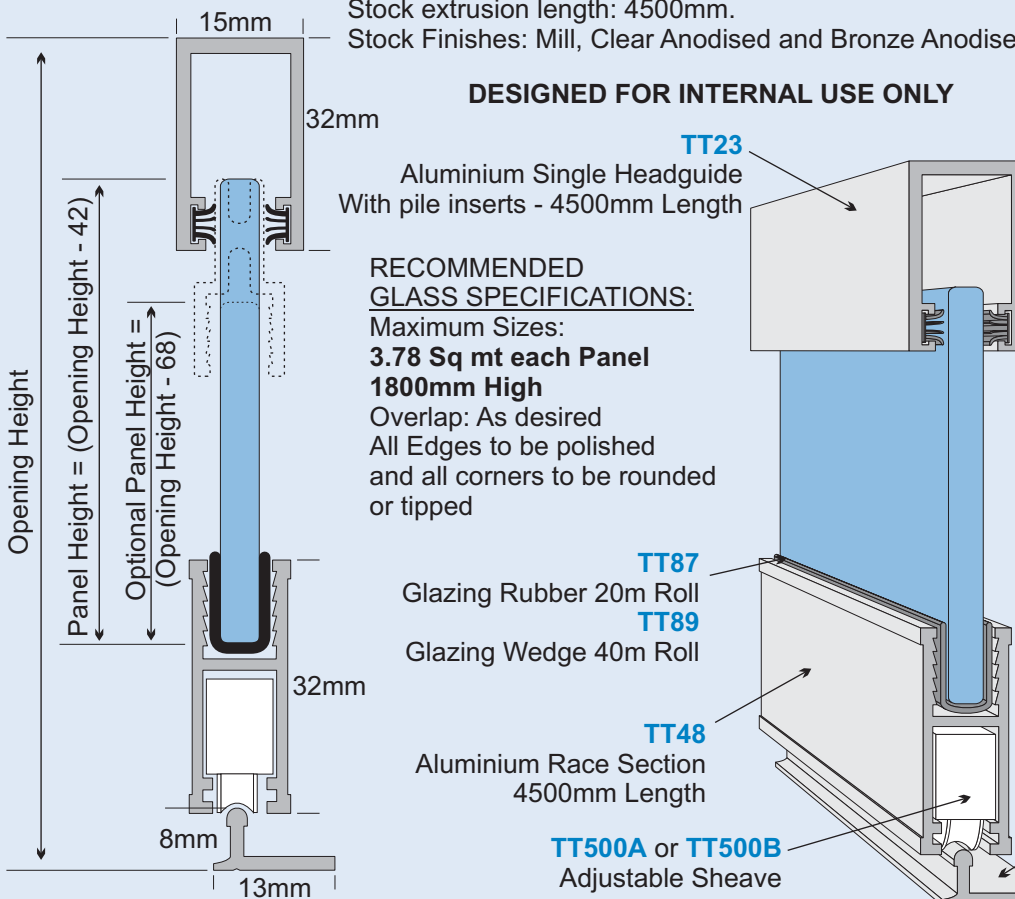
Maximum Sizes:
3.78 Sq mt each Panel
1800mm High
Overlap: As desired
All Edges to be polished and all corners to be rounded or tipped



Single Track for 6mm Float & 6.38mm Laminate Glass Panels

Stock extrusion length: 4500mm.
Stock Finishes: Mill, Clear Anodised and Bronze Anodised

DESIGNED FOR INTERNAL USE ONLY



RECOMMENDED GLASS SPECIFICATIONS:

Maximum Sizes:
3.78 Sq mt each Panel
1800mm High
Overlap: As desired
All Edges to be polished and all corners to be rounded or tipped

APPLICABLE TO BOTH SYSTEMS

TT46 Nylon End Plate fits into **TT48 Race**
Available in White, Black, Gold & Silver

Adjustable Sheave -
TT500A Stainless Steel Wheel (45kg per pair)
TT500B Nylon Wheel (30kg per pair)

Australian Patent #495883

TT87 Glazing Rubber 20m Roll or per M
TT89 Glazing Wedge 40m Roll or per M
Used to secure glass into **TT48** and **TT24**.

TT416 Aluminium Single Track 4500mm Length