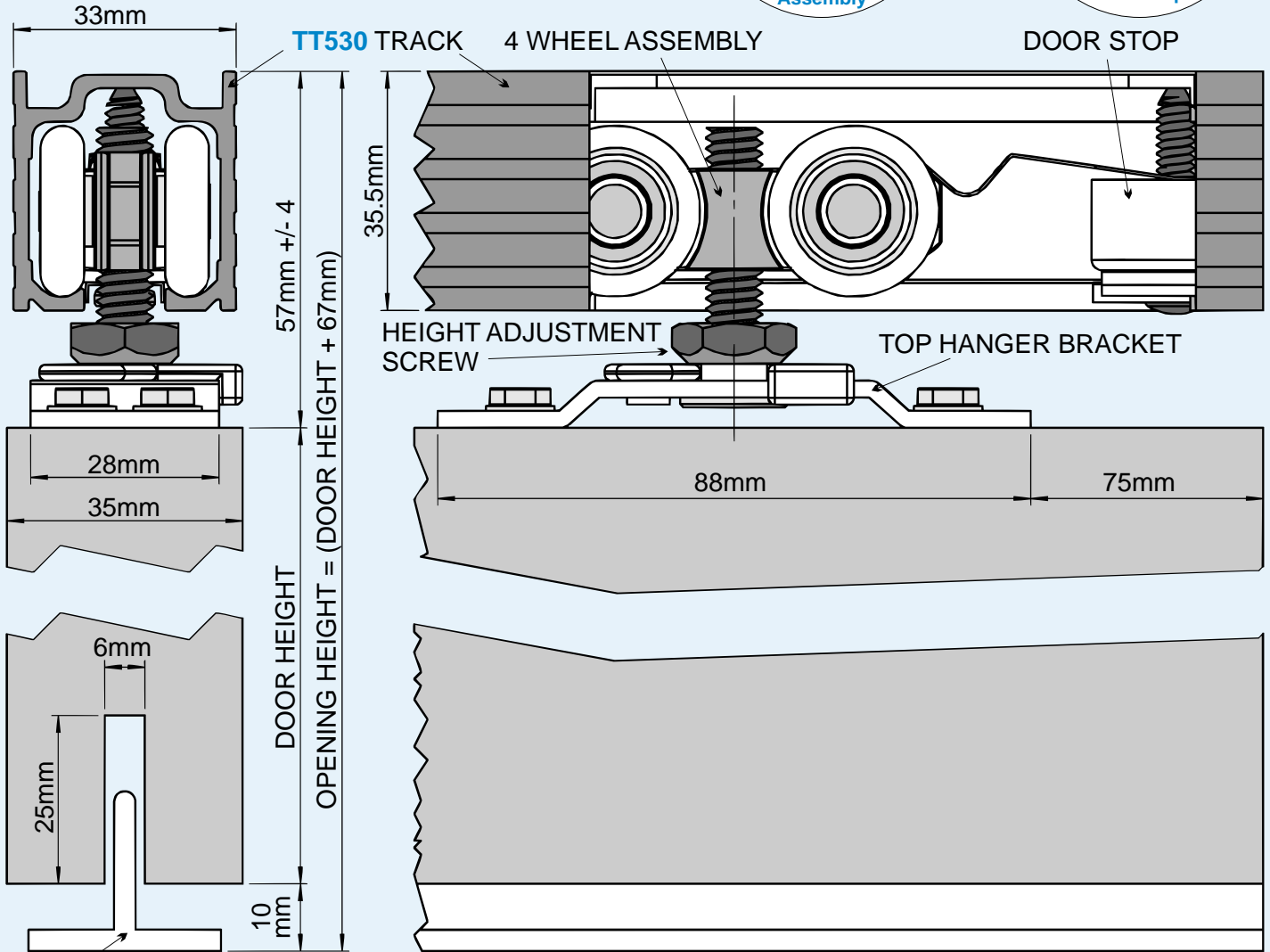
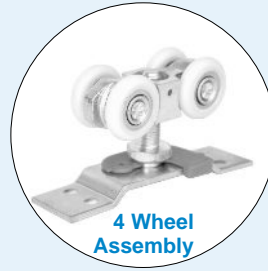


TROJAN Sliding Door Track System

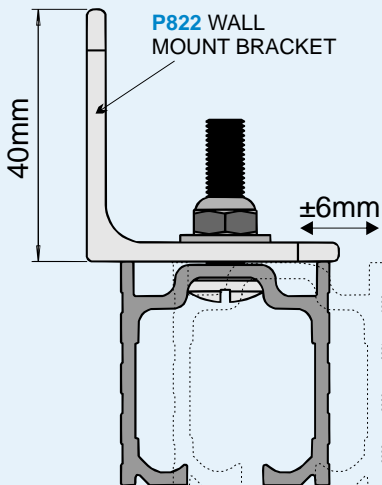
100kg Per Door

FEATURES:

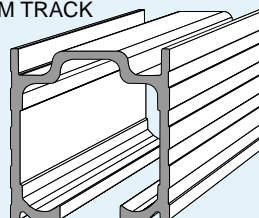
- *Maximum load 100kg per door
- *Wrap around Aluminium track - wheels cannot jump off track
- *Nylon tyred 4 wheel carriages with lubricated steel ball bearings - for smooth and quiet operation
- *Anti-bounce end stop
- *Optional wall mount bracket available
- *Suits door thickness 28mm and above



TT216 ALUMINIUM DOOR GUIDE



TT530 ALUMINIUM TRACK



TROJAN



SLIDING DOOR TRACK SYSTEM

P531	Components pack for a single door excluding guide
TT530	Aluminium Track - 4500mm
TT216	Aluminium Guide - 150mm
P822	Pack of 1 Wall Mounting Bracket